



# HOSHIZAKI

## CERTIFICATION



HACCP International



ISO9001



Compliant with  
IEC60335-2-89 Standard

## RT-158MC-S UNDERCOUNTER REFRIGERATOR



### Key Features



Lower running cost



Strong cooling power



LED lighting



Drainage-Free Design



Large and clear display



Rounded corner



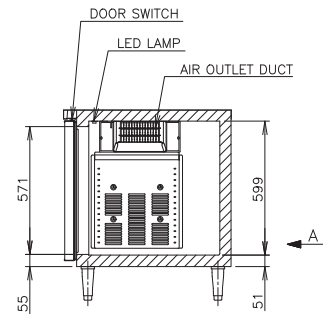
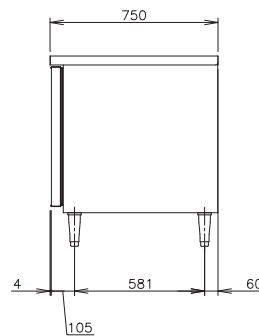
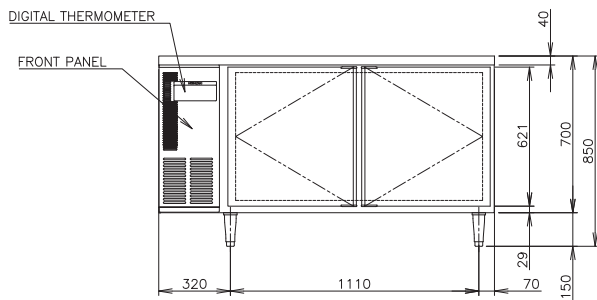
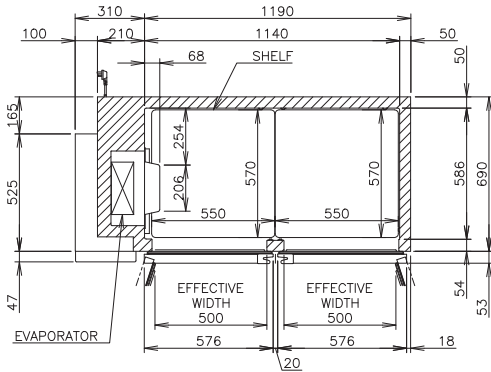
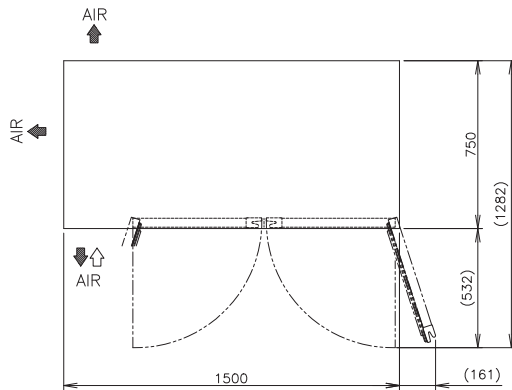
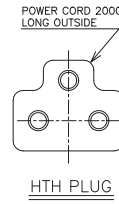
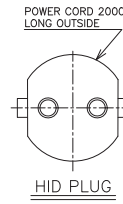
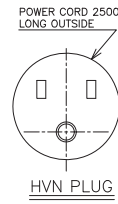
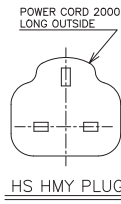
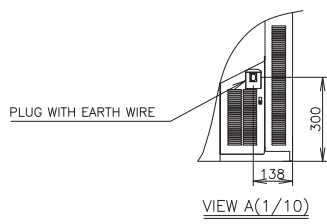
Removal door gaskets



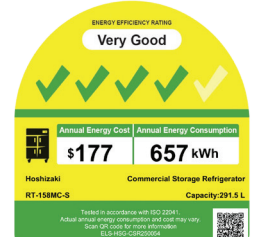
NATURAL  
REFRIGERANTS



# Dimensions & Specifications



<b>MODEL</b>	<b>RT-158MC-S</b>
<b>POWER SUPPLY</b>	1 Phase 220-240V 50Hz Capacity: 0.41kVA (1.86A)
<b>ELECTRIC CONSUMPTION</b>	1.80kWh/day
<b>TEMPERATURE CONTROL</b>	-6 to 12°C
<b>STORAGE CAPACITY</b>	420L
<b>WEIGHT</b>	Net: 94kg (Gross: Approx. 106kg)
<b>OUTSIDE DIMENSIONS</b>	1500mm(W)× 750mm(D)×850(-880)mm(H)
<b>PACKAGE</b>	Carton: 1565mm(W)×830mm(D)×845mm(H)
<b>NUMBER OF SHELVES</b>	4pcs
<b>REFRIGERANT</b>	R290
<b>OPERATING CONDITIONS</b>	Ambient Temperature: 5 - 38°C, Voltage Range: Rated Voltage ±6%



# HOSHIZAKI

**HOSHIZAKI SINGAPORE PTE. LTD.**

18 Boon Lay Way #01-102 Tradehub21, 609966

TEL 6225 2612 FAX 6225 3219

www.hoshizaki.com.sg

